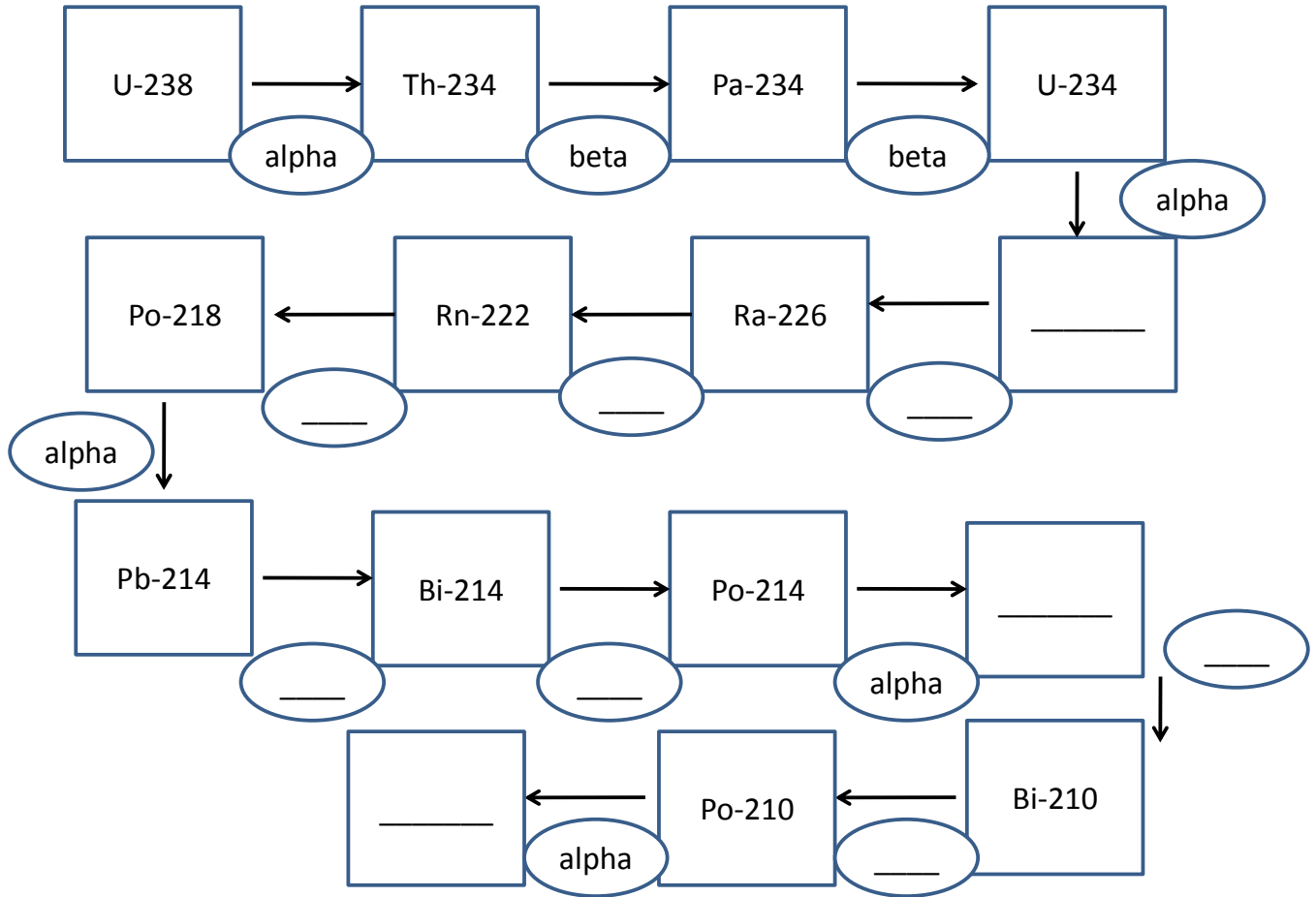
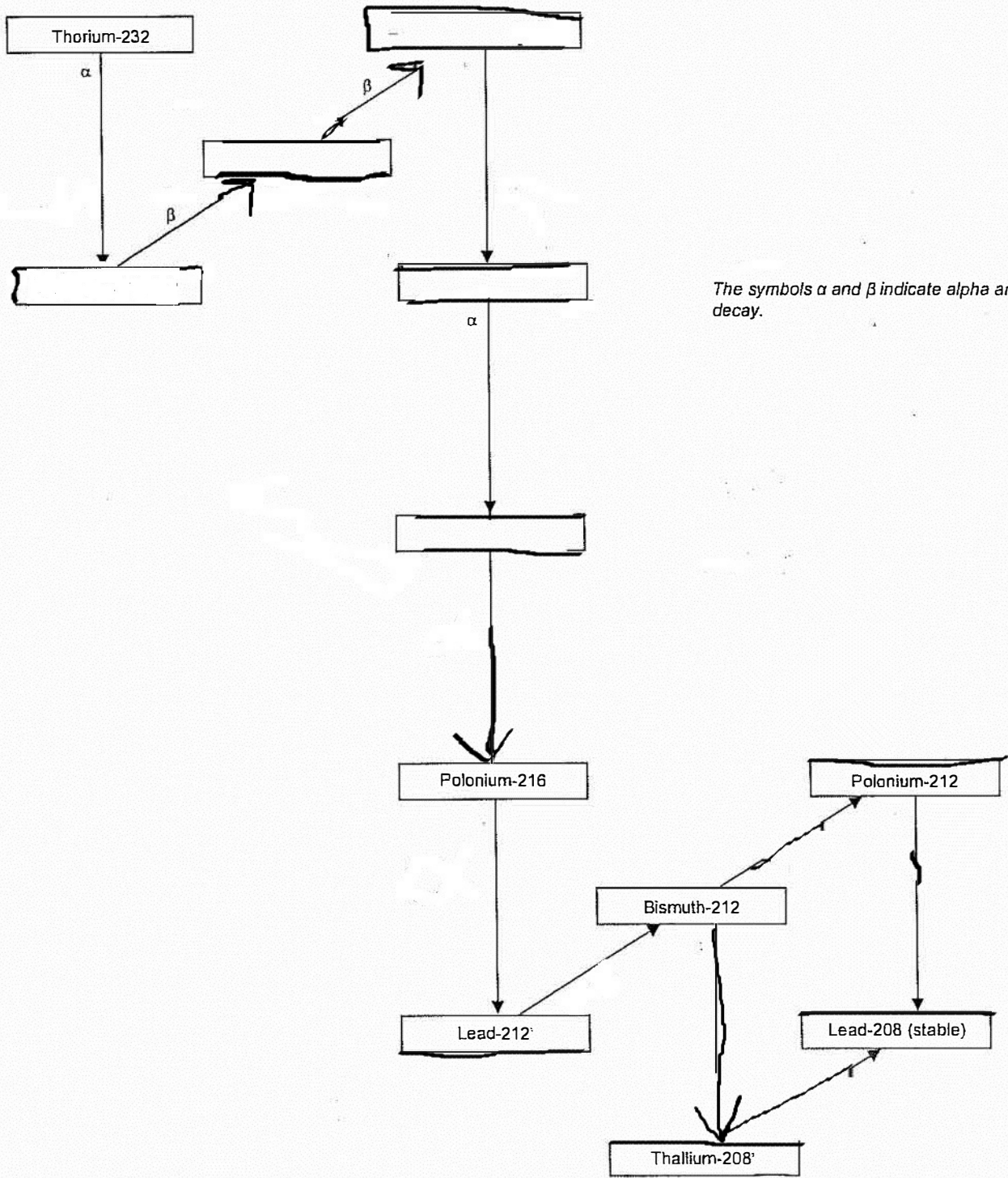


The Decay Series of Uranium

Below is the decay series for a Uranium-238 nucleus, showing all of the steps of decay that occur before it finally reaches a stable state. Fill in all blanks of either the type of decay that occurs to get from one step to another, or with the name of the isotope produced at a certain step.





Natural Decay Series: Thorium-232